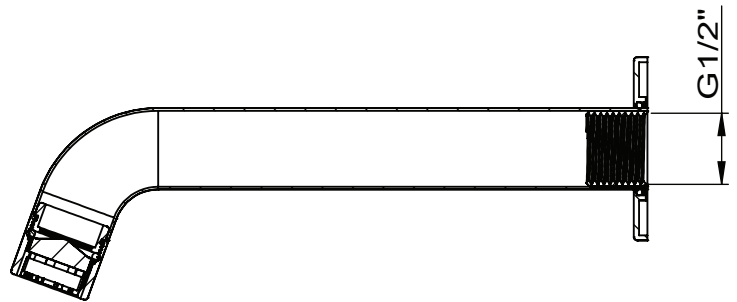
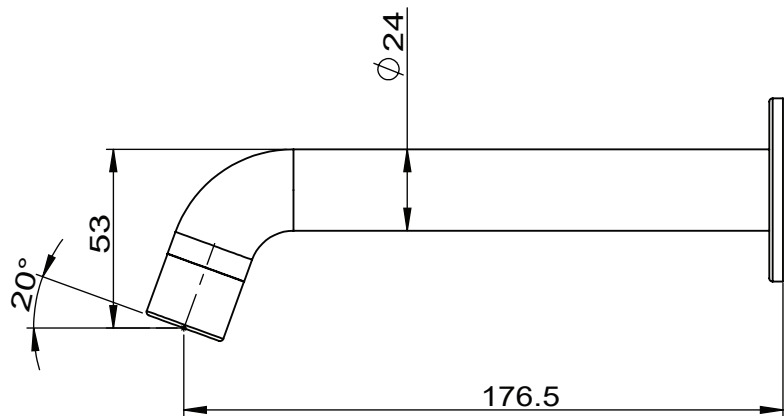
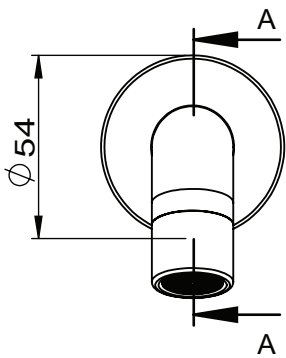


SPECIFICATIONS

SOUL BATH/WALL SPOUT

Adp



- JTAPBSSOUCP (Chrome)
- JTAPBSSOUBA (Matte Black)
- JTAPBSSOUNK (Brushed Nickel)
- JTAPBSSOUBB (Brushed Brass)
- JTAPBSSOUWA (Matte White)
- JTAPBSSOUBCO (Brushed Copper)



Water supply requirements

Not recommended for gravity fed water systems or water tanks.

Working Pressure: 350 - 500kpa (including cold and hot water pressure)
Maximum Pressure: 73psi / 500kpa
Temperature Rating: 5°C - 65°C (must not exceed 70°C)

Installation should comply with Australian standard AS/NZS 3500 or relevant local authority requirements.